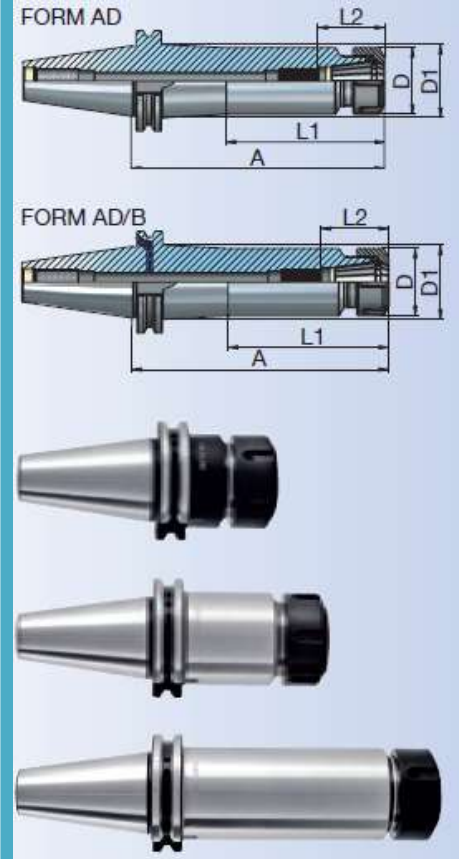


PENS BAŞLIĞI ER TİP



SK	FORM	KAPASİTE	A	D	D1	L1	L2
SK 30	AD	ER16 (1 - 10)	70	28	-	-	33
SK 30	AD	ER16 (1 - 10)	100	28	-	-	33
SK 30	AD	ER25 (2 - 16)	70	42	-	-	42
SK 30	AD	ER25 (2 - 16)	100	42	-	-	42
SK 30	AD	ER32 (2 - 20)	70	50			48
SK 30	AD	ER32 (2 - 20)	100	50			48
SK 30	AD	ER32 (2 - 20)	50	50			48
SK 30	AD	ER32 (2 - 20)	70	50			48
SK 30	AD	ER40 (3 - 26)	70	63			56
SK 40	AD	ER16 (1 - 10)	63	28			32
SK 40	AD/B	ER16 (1 - 10)	63	28			32
SK 40	AD	ER16 (1 - 10)	100	28			32
SK 40	AD/B	ER16 (1 - 10)	100	28			32
SK 40	AD	ER16 (1 - 10)	130	28			32
SK 40	AD/B	ER16 (1 - 10)	130	28			32
SK 40	AD	ER16 (1 - 10)	160	28	32	98	32
SK 40	AD/B	ER16 (1 - 10)	160	28	32	98	32
SK 40	AD/B	ER16 (1 - 10)	200	28	34	120	32
SK 40	AD/B	ER20 (1 - 13)	70	34			39,5
SK 40	AD/B	ER20 (1 - 13)	100	34			39,5
SK 40	AD/B	ER20 (1 - 13)	130	34			39,5
SK 40	AD/B	ER20 (1 - 13)	160	34	38	99,5	39,5
SK 40	AD	ER25 (2 - 16)	60	42			42
SK 40	AD/B	ER25 (2 - 16)	60	42			52
SK 40	AD	ER25 (2 - 16)	100	42			42
SK 40	AD/B	ER25 (2 - 16)	100	42			42
SK 40	AD	ER25 (2 - 16)	130	42			42
SK 40	AD/B	ER25 (2 - 16)	130	42			42
SK 40	AD	ER25 (2 - 16)	160	42	46,5	100	42
SK 40	AD/B	ER25 (2 - 16)	160	42	46,5	100	42
SK 40	AD/B	ER25 (2 - 16)	200	42	48,5	120	42
SK 40	AD	ER32 (2 - 20)	70	50	-	48	SK 40
SK 40	AD/B	ER32 (2 - 20)	70	50	-	48	SK 40
SK 40	AD	ER32 (2 - 20)	100	50		48	SK 40
SK 40	AD/B	ER32 (2 - 20)	100	50		48	SK 40
SK 40	AD	ER32 (2 - 20)	130	50		48	SK 40
SK 40	AD/B	ER32 (2 - 20)	130	50		48	SK 40



PENS BAŞLIĞI ER TİP



SK	FORM	KAPASİTE	A	D	D1	L1	L2
SK 40	AD	ER32 (2 - 20)	160	50		48	SK 40
SK 40	AD/B	ER32 (2 - 20)	160	50		48	SK 40
SK 40	AD/B	ER32 (2 - 20)	200	50		48	SK 40
SK 40	AD	ER40 (3 - 26)	80	63		55	SK 40
SK 40	AD/B	ER40 (3 - 26)	80	63		55	SK 40
SK 40	AD	ER40 (3 - 26)	100	63		55	SK 40
SK 40	AD/B	ER40 (3 - 26)	100	63		55	SK 40
SK 40	AD	ER40 (3 - 26)	130	63		55	SK 40
SK 40	AD/B	ER40 (3 - 26)	130	63		55	SK 40
SK 40	AD	ER40 (3 - 26)	160	63		55	SK 40
SK 50	AD	ER16 (1 - 10)	63	28			32
SK 50	AD/B	ER16 (1 - 10)	63	28			32
SK 50	AD	ER16 (1 - 10)	100	28			32
SK 50	AD/B	ER16 (1 - 10)	100	28			32
SK 50	AD	ER16 (1 - 10)	130	28			32
SK 50	AD/B	ER16 (1 - 10)	130	28			32
SK 50	AD	ER16 (1 - 10)	160	28	32	98	32
SK 50	AD/B	ER16 (1 - 10)	160	28	32	98	32
SK 50	AD/B	ER16 (1 - 10)	200	28	33,5	120	32
SK 50	AD/B	ER20 (1 - 13)	70	34			39,5
SK 50	AD/B	ER20 (1 - 13)	100	34			39,5
SK 50	AD/B	ER20 (1 - 13)	130	34			39,5
SK 50	AD/B	ER20 (1 - 13)	160	34	38	99,5	39,5
SK 50	AD	ER25 (2 - 16)	60	42			42
SK 50	AD/B	ER25 (2 - 16)	60	42			60
SK 50	AD	ER25 (2 - 16)	100	42			42
SK 50	AD/B	ER25 (2 - 16)	100	42			42
SK 50	AD	ER25 (2 - 16)	130	42			42
SK 50	AD/B	ER25 (2 - 16)	130	42			42
SK 50	AD	ER25 (2 - 16)	160	42	46	100	42
SK 50	AD/B	ER25 (2 - 16)	160	42	46	100	42
SK 50	AD/B	ER25 (2 - 16)	200	42	47,5	120	42
SK 50	AD	ER32 (2 - 20)	70	50			48
SK 50	AD/B	ER32 (2 - 20)	70	50			69
SK 50	AD	ER32 (2 - 20)	100	50			48
SK 50	AD/B	ER32 (2 - 20)	100	50			48
SK 50	AD	ER32 (2 - 20)	130	50			48

