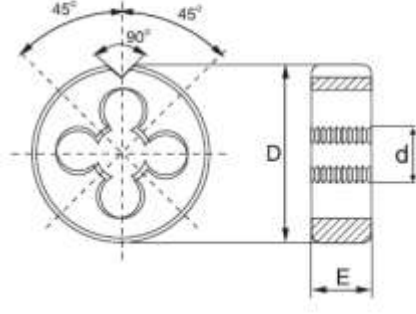


UNC DİŞ PAFTA**UNC DİŞ PAFTA 6g**

d	P	D	E
UNC NR4	40	20	5
UNC NR5	40	20	5
UNC NR 6	32	20	7
UNC NR8	32	20	7
UNC NR10	24	20	7
UNC NR12	24	20	7
UNC 1/4	20	20	7
UNC 5/16	18	25	9
UNC 3/8	16	30	11
UNC 7/16	14	30	11
UNC 1/2	13	38	14
UNC 9/16	12	38	14
UNC 5/8	11	45	18
UNC 3/4	10	45	18
UNC 7/8	9	55	22
UNC 1	8	55	22
UNC 1 1/8	7	65	25
UNC 1 1/4	7	65	25
UNC 1 1/2	6	75	30